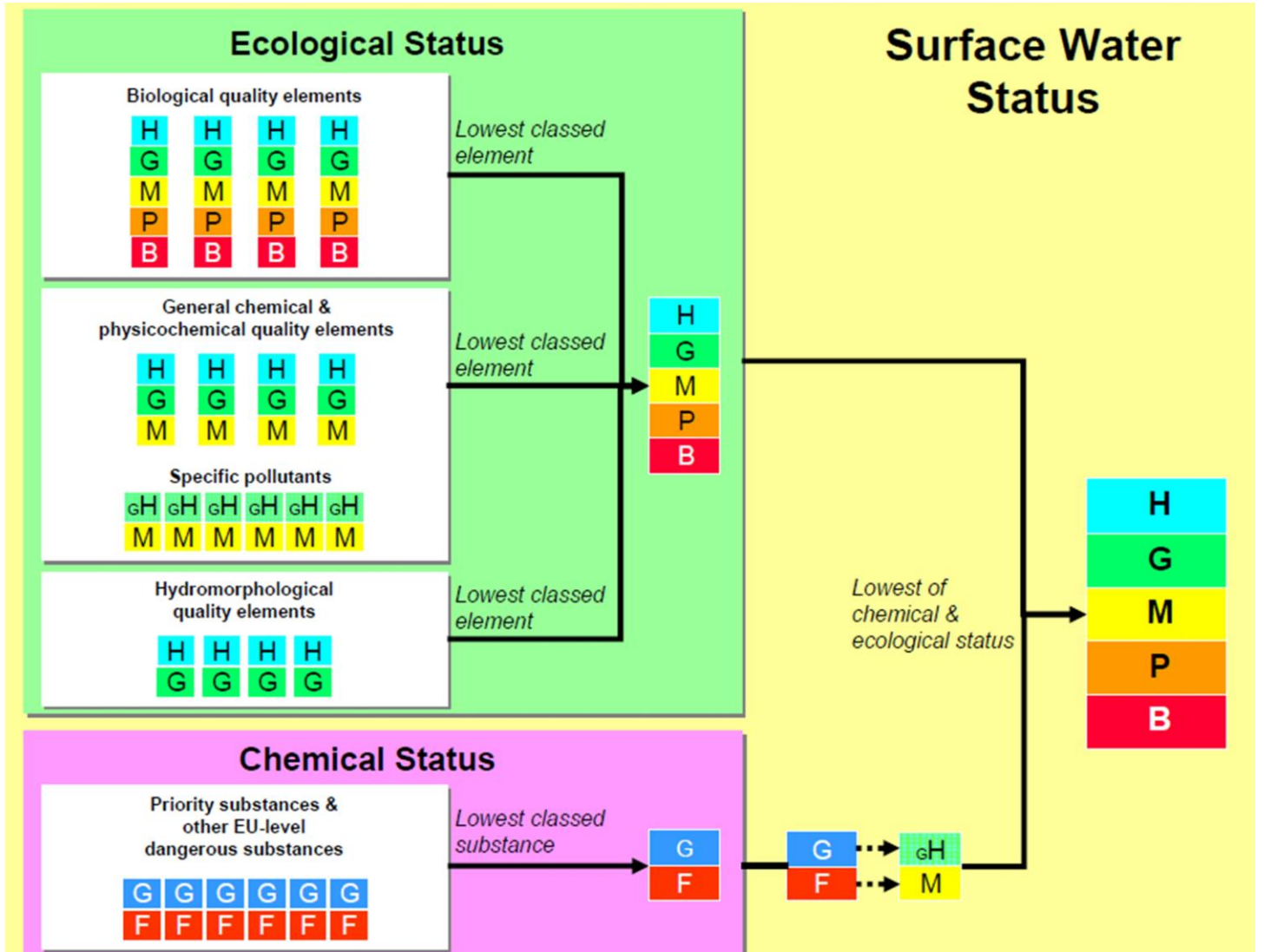


Local Management Areas

Reasons for status for the water bodies within the 8 SSHU/ RXJK (UHLMA

December 201



Water body name: Aghavea River
Water body identification code: UKGBNI1NW363602016
River Basin District: North Western
Local management area: Upper Lough Erne
2021 Objective: Good Status
2027 Objective: Good Status

	2015	2016	2017	2018	2019	2020	2021
Overall status:	Good						
Confidence in overall status:	Medium						

Biological elements

Benthic invertebrates	Good
Macrophytes	High
Phytobenthos	Good

Physicochemical elements

Biochemical Oxygen Demand ¹	High
Dissolved Oxygen	High
pH	High
Soluble Reactive Phosphorus	High

Specific pollutants

Ammonia	Good/High
---------	-----------

Hydromorphological elements ¹

Hydrological regime	High
---------------------	------

Priority substances

¹ BOD and temperature do not contribute to overall classification. Hydromorphological elements are supporting elements and only contribute to overall classification as either high or good.

The yearly classifications are based on monitoring data up to the end of the previous year where available. Data more than 6 years old is not used for classifications. Elements were not classified in a particular year if they were not monitored during the previous 6 years. The diagram on page 2 indicates how overall classification has been assessed from the individual elements. However, for heavily modified water bodies and artificial water bodies a separate classification has been applied to determine ecological potential taking into account mitigation measures. Further details can be found on our website.

Water body name: Ballina Tributary
Water body identification code: UKGBNI1NW363602017
River Basin District: North Western
Local management area: Upper Lough Erne
2021 Objective: Good Status
2027 Objective: Good Status

	2015	2016	2017	2018	2019	2020	2021
Overall status:	Good						
Confidence in overall status:	Low						

_____ Biological elements _____

_____ Physicochemical elements _____

Biochemical Oxygen Demand ¹	High
Dissolved Oxygen	High
pH	High
Soluble Reactive Phosphorus	High

_____ Specific pollutants _____

Ammonia	Good/High
---------	------------------

_____ Hydromorphological elements ¹ _____

Hydrological regime	High
Morphological conditions	Good

_____ Priority substances _____

¹ BOD and temperature do not contribute to overall classification. Hydromorphical elements are supporting elements and only contribute to overall classification as either high or good.

The yearly classifications are based on monitoring data up to the end of the previous year where available. Data more than 6 years old is not used for classifications. Elements were not classified in a particular year if they were not monitored during the previous 6 years.

The diagram on page 2 indicates how overall classification has been assessed from the individual elements. However, for heavily modified water bodies and artificial water bodies a separate classification has been applied to determine ecological potential taking into account mitigation measures. Further details can be found on our website.

Water body name: Colebrooke River (Maguiresbridge)
Water body identification code: UKGBNI1NW363602018
River Basin District: North Western
Local management area: Upper Lough Erne
2021 Objective: Good Status
2027 Objective: Good Status

	2015	2016	2017	2018	2019	2020	2021
Overall status:	Good						
Confidence in overall status:	Medium						

Biological elements

Benthic invertebrates	Good
Macrophytes	High
Phytobenthos	Good
Fish	Good

Physicochemical elements

Biochemical Oxygen Demand ¹	High
Temperature ¹	Good
Dissolved Oxygen	High
pH	High
Soluble Reactive Phosphorus	Good

Specific pollutants

Ammonia	Good/High
Arsenic (dissolved)	Good/High
Chromium (dissolved)	Good/High
Iron (dissolved)	Good/High
Toluene	Good/High

Hydromorphological elements ¹

Hydrological regime	High
Morphological conditions	Good

Priority substances

Benzene	Good
Brominated diphenylether	Good
Cadmium (dissolved)	Good
Lead (dissolved)	Good
Mercury (dissolved)	Good
Nickel (dissolved)	Good

¹ BOD and temperature do not contribute to overall classification. Hydromorphical elements are supporting elements and only contribute to overall classification as either high or good.

The yearly classifications are based on monitoring data up to the end of the previous year where available. Data more than 6 years old is not used for classifications. Elements were not classified in a particular year if they were not monitored during the previous 6 years.

The diagram on page 2 indicates how overall classification has been assessed from the individual elements. However, for heavily modified water bodies and artificial water bodies a separate classification has been applied to determine ecological potential taking into account mitigation measures. Further details can be found on our website.

Water body name: Raw River
Water body identification code: UKGBNI1NW363602020
River Basin District: North Western
Local management area: Upper Lough Erne
2021 Objective: Good Status
2027 Objective: Good Status

	2015	2016	2017	2018	2019	2020	2021
Overall status:	Good						
Confidence in overall status:	High						

_____ Biological elements _____

Benthic invertebrates	High
Macrophytes	High
Phytobenthos	Good

_____ Physicochemical elements _____

Biochemical Oxygen Demand ¹	High
Dissolved Oxygen	High
pH	High
Soluble Reactive Phosphorus	Good

_____ Specific pollutants _____

Ammonia	Good/High
---------	------------------

_____ Hydromorphological elements ¹ _____

Hydrological regime	High
---------------------	-------------

_____ Priority substances _____

¹ BOD and temperature do not contribute to overall classification. Hydromorphological elements are supporting elements and only contribute to overall classification as either high or good.

The yearly classifications are based on monitoring data up to the end of the previous year where available. Data more than 6 years old is not used for classifications. Elements were not classified in a particular year if they were not monitored during the previous 6 years.

The diagram on page 2 indicates how overall classification has been assessed from the individual elements. However, for heavily modified water bodies and artificial water bodies a separate classification has been applied to determine ecological potential taking into account mitigation measures. Further details can be found on our website.

Water body name: Tempo River (Maguiresbridge)
Water body identification code: UKGBNI1NW363602022
River Basin District: North Western
Local management area: Upper Lough Erne
2021 Objective: Moderate Status
2027 Objective: Moderate Status

	2015	2016	2017	2018	2019	2020	2021
Overall status:	Good						
Confidence in overall status:	Medium						

Biological elements

Benthic invertebrates	High
Macrophytes	High
Phytobenthos	Good

Physicochemical elements

Biochemical Oxygen Demand ¹	Moderate
Temperature ¹	High
Dissolved Oxygen	High
pH	High
Soluble Reactive Phosphorus	Good

Specific pollutants

Ammonia	Good/High
Arsenic (dissolved)	Good/High
Chromium (dissolved)	Good/High
Iron (dissolved)	Good/High

Hydromorphological elements ¹

Hydrological regime	High
---------------------	-------------

Priority substances

Cadmium (dissolved)	Good
Lead (dissolved)	Good
Nickel (dissolved)	Good

¹ BOD and temperature do not contribute to overall classification. Hydromorphological elements are supporting elements and only contribute to overall classification as either high or good.

The yearly classifications are based on monitoring data up to the end of the previous year where available. Data more than 6 years old is not used for classifications. Elements were not classified in a particular year if they were not monitored during the previous 6 years.

The diagram on page 2 indicates how overall classification has been assessed from the individual elements. However, for heavily modified water bodies and artificial water bodies a separate classification has been applied to determine ecological potential taking into account mitigation measures. Further details can be found on our website.

Water body name: Lough-a-hache River
Water body identification code: UKGBNI1NW363602024
River Basin District: North Western
Local management area: Upper Lough Erne
2021 Objective: Good Status
2027 Objective: Good Status

	2015	2016	2017	2018	2019	2020	2021
Overall status:	Moderate						
Confidence in overall status:	Low						

_____ Biological elements _____

Benthic invertebrates	Moderate
Macrophytes	Good
Phytobenthos	Good

_____ Physicochemical elements _____

Biochemical Oxygen Demand ¹	High
Temperature ¹	Good
Dissolved Oxygen	Moderate
pH	High
Soluble Reactive Phosphorus	Moderate

_____ Specific pollutants _____

Ammonia	Good/High
Arsenic (dissolved)	Good/High
Chromium (dissolved)	Good/High
Iron (dissolved)	Good/High

_____ Hydromorphological elements ¹ _____

Hydrological regime	High
---------------------	-------------

_____ Priority substances _____

Cadmium (dissolved)	Good
Lead (dissolved)	Good
Nickel (dissolved)	Good

¹ BOD and temperature do not contribute to overall classification. Hydromorphological elements are supporting elements and only contribute to overall classification as either high or good.

The yearly classifications are based on monitoring data up to the end of the previous year where available. Data more than 6 years old is not used for classifications. Elements were not classified in a particular year if they were not monitored during the previous 6 years.

The diagram on page 2 indicates how overall classification has been assessed from the individual elements. However, for heavily modified water bodies and artificial water bodies a separate classification has been applied to determine ecological potential taking into account mitigation measures. Further details can be found on our website.

Water body name: Hollybrook River
Water body identification code: UKGBNI1NW363602025
River Basin District: North Western
Local management area: Upper Lough Erne
2021 Objective: Good Status
2027 Objective: Good Status

	2015	2016	2017	2018	2019	2020	2021
Overall status:	Good						
Confidence in overall status:	Medium						

Biological elements

Benthic invertebrates	High
Macrophytes	High
Phytobenthos	Good

Physicochemical elements

Biochemical Oxygen Demand ¹	Good
Temperature ¹	High
Dissolved Oxygen	Good
pH	High
Soluble Reactive Phosphorus	High

Specific pollutants

Ammonia	Good/High
Arsenic (dissolved)	Good/High
Chromium (dissolved)	Good/High
Iron (dissolved)	Good/High

Hydromorphological elements ¹

Hydrological regime	High
---------------------	-------------

Priority substances

Cadmium (dissolved)	Good
Lead (dissolved)	Good
Nickel (dissolved)	Good

¹ BOD and temperature do not contribute to overall classification. Hydromorphological elements are supporting elements and only contribute to overall classification as either high or good.

The yearly classifications are based on monitoring data up to the end of the previous year where available. Data more than 6 years old is not used for classifications. Elements were not classified in a particular year if they were not monitored during the previous 6 years.

The diagram on page 2 indicates how overall classification has been assessed from the individual elements. However, for heavily modified water bodies and artificial water bodies a separate classification has been applied to determine ecological potential taking into account mitigation measures. Further details can be found on our website.

Water body name: Drumshancorick River
Water body identification code: UKGBNI1NW363602026
River Basin District: North Western
Local management area: Upper Lough Erne
2021 Objective: Good Status
2027 Objective: Good Status

	2015	2016	2017	2018	2019	2020	2021
Overall status:	Moderate						
Confidence in overall status:	Medium						

_____ Biological elements _____

Benthic invertebrates	Moderate
Macrophytes	High
Phytobenthos	Good

_____ Physicochemical elements _____

Biochemical Oxygen Demand ¹	High
Dissolved Oxygen	High
pH	High
Soluble Reactive Phosphorus	Good

_____ Specific pollutants _____

Ammonia	Good/High
---------	------------------

_____ Hydromorphological elements ¹ _____

Hydrological regime	High
---------------------	-------------

_____ Priority substances _____

¹ BOD and temperature do not contribute to overall classification. Hydromorphological elements are supporting elements and only contribute to overall classification as either high or good.

The yearly classifications are based on monitoring data up to the end of the previous year where available. Data more than 6 years old is not used for classifications. Elements were not classified in a particular year if they were not monitored during the previous 6 years.

The diagram on page 2 indicates how overall classification has been assessed from the individual elements. However, for heavily modified water bodies and artificial water bodies a separate classification has been applied to determine ecological potential taking into account mitigation measures. Further details can be found on our website.

Water body name: Newtownbutler River
Water body identification code: UKGBNI1NW363602028
River Basin District: North Western
Local management area: Upper Lough Erne
2021 Objective: Moderate Status
2027 Objective: Good Status

	2015	2016	2017	2018	2019	2020	2021
Overall status:	Poor						
Confidence in overall status:	Low						

Biological elements

Benthic invertebrates	Poor
Macrophytes	Moderate
Phytobenthos	High

Physicochemical elements

Biochemical Oxygen Demand ¹	Good
Temperature ¹	High
Dissolved Oxygen	Moderate
pH	High
Soluble Reactive Phosphorus	High

Specific pollutants

Ammonia	Good/High
Arsenic (dissolved)	Good/High
Chromium (dissolved)	Good/High
Iron (dissolved)	Good/High

Hydromorphological elements ¹

Hydrological regime	Good
---------------------	-------------

Priority substances

Cadmium (dissolved)	Good
Lead (dissolved)	Good
Nickel (dissolved)	Good

¹ BOD and temperature do not contribute to overall classification. Hydromorphological elements are supporting elements and only contribute to overall classification as either high or good.

The yearly classifications are based on monitoring data up to the end of the previous year where available. Data more than 6 years old is not used for classifications. Elements were not classified in a particular year if they were not monitored during the previous 6 years.

The diagram on page 2 indicates how overall classification has been assessed from the individual elements. However, for heavily modified water bodies and artificial water bodies a separate classification has been applied to determine ecological potential taking into account mitigation measures. Further details can be found on our website.

Water body name: Derryhooley Tributary
Water body identification code: UKGBNI1NW363602029
River Basin District: North Western
Local management area: Upper Lough Erne
2021 Objective: Good Status
2027 Objective: Good Status

	2015	2016	2017	2018	2019	2020	2021
Overall status:	Moderate						
Confidence in overall status:	Low						

_____ Biological elements _____

Benthic invertebrates	Moderate
Macrophytes	Moderate
Phytobenthos	High

_____ Physicochemical elements _____

Biochemical Oxygen Demand ¹	Moderate
Temperature ¹	High
Dissolved Oxygen	Moderate
pH	High
Soluble Reactive Phosphorus	Good

_____ Specific pollutants _____

Ammonia	Good/High
---------	------------------

_____ Hydromorphological elements ¹ _____

Hydrological regime	High
---------------------	-------------

_____ Priority substances _____

¹ BOD and temperature do not contribute to overall classification. Hydromorphological elements are supporting elements and only contribute to overall classification as either high or good.

The yearly classifications are based on monitoring data up to the end of the previous year where available. Data more than 6 years old is not used for classifications. Elements were not classified in a particular year if they were not monitored during the previous 6 years.

The diagram on page 2 indicates how overall classification has been assessed from the individual elements. However, for heavily modified water bodies and artificial water bodies a separate classification has been applied to determine ecological potential taking into account mitigation measures. Further details can be found on our website.

Water body name: Cooneen River
Water body identification code: UKGBNI1NW363602030
River Basin District: North Western
Local management area: Upper Lough Erne
2021 Objective: High Status
2027 Objective: High Status

	2015	2016	2017	2018	2019	2020	2021
Overall status:	High						
Confidence in overall status:	High						

Biological elements

Benthic invertebrates	High
Macrophytes	High
Phytobenthos	High

Physicochemical elements

Biochemical Oxygen Demand ¹	High
Temperature ¹	High
Dissolved Oxygen	High
pH	High
Soluble Reactive Phosphorus	High

Specific pollutants

Ammonia	Good/High
Arsenic (dissolved)	Good/High
Chromium (dissolved)	Good/High
Iron (dissolved)	Good/High

Hydromorphological elements ¹

Hydrological regime	High
Morphological conditions	High

Priority substances

Cadmium (dissolved)	Good
Lead (dissolved)	Good
Nickel (dissolved)	Good

¹ BOD and temperature do not contribute to overall classification. Hydromorphical elements are supporting elements and only contribute to overall classification as either high or good.

The yearly classifications are based on monitoring data up to the end of the previous year where available. Data more than 6 years old is not used for classifications. Elements were not classified in a particular year if they were not monitored during the previous 6 years.

The diagram on page 2 indicates how overall classification has been assessed from the individual elements. However, for heavily modified water bodies and artificial water bodies a separate classification has been applied to determine ecological potential taking into account mitigation measures. Further details can be found on our website.

Water body name:	Erne River (Bellanaleck)
Water body identification code:	UKGBNI1NW363602035
River Basin District:	North Western
Local management area:	Upper Lough Erne
2021 Objective:	Good Status
2027 Objective:	Good Status

	2015	2016	2017	2018	2019	2020	2021
Overall status:	Moderate						
Confidence in overall status:	Low						

_____ Biological elements _____

_____ Physicochemical elements _____

Biochemical Oxygen Demand ¹	High
Temperature ¹	Moderate
Dissolved Oxygen	Moderate
pH	High
Soluble Reactive Phosphorus	High

_____ Specific pollutants _____

Ammonia	Good/High
---------	------------------

_____ Hydromorphological elements ¹ _____

Hydrological regime	High
---------------------	-------------

_____ Priority substances _____

¹ BOD and temperature do not contribute to overall classification. Hydromorphical elements are supporting elements and only contribute to overall classification as either high or good.

The yearly classifications are based on monitoring data up to the end of the previous year where available. Data more than 6 years old is not used for classifications. Elements were not classified in a particular year if they were not monitored during the previous 6 years.

The diagram on page 2 indicates how overall classification has been assessed from the individual elements. However, for heavily modified water bodies and artificial water bodies a separate classification has been applied to determine ecological potential taking into account mitigation measures. Further details can be found on our website.

Water body name: Tamlaght Tributary
Water body identification code: UKGBNI1NW363602038
River Basin District: North Western
Local management area: Upper Lough Erne
2021 Objective: Good Status
2027 Objective: Good Status

	2015	2016	2017	2018	2019	2020	2021
Overall status:	Moderate						
Confidence in overall status:	Low						

_____ Biological elements _____

_____ Physicochemical elements _____

Biochemical Oxygen Demand ¹	Moderate
Temperature ¹	High
Dissolved Oxygen	Moderate
pH	High
Soluble Reactive Phosphorus	Moderate

_____ Specific pollutants _____

Ammonia	Moderate
Arsenic (dissolved)	Good/High
Chromium (dissolved)	Good/High
Iron (dissolved)	Good/High

_____ Hydromorphological elements ¹ _____

Hydrological regime	High
Morphological conditions	Good

_____ Priority substances _____


Cadmium (dissolved)	Good
Lead (dissolved)	Good
Nickel (dissolved)	Good

¹ BOD and temperature do not contribute to overall classification. Hydromorphological elements are supporting elements and only contribute to overall classification as either high or good.

The yearly classifications are based on monitoring data up to the end of the previous year where available. Data more than 6 years old is not used for classifications. Elements were not classified in a particular year if they were not monitored during the previous 6 years.

The diagram on page 2 indicates how overall classification has been assessed from the individual elements. However, for heavily modified water bodies and artificial water bodies a separate classification has been applied to determine ecological potential taking into account mitigation measures. Further details can be found on our website.

Water body name: Erne River (Enniskillen)
Water body identification code: UKGBNI1NW363602039
This is a heavily modified water body.
River Basin District: North Western
Local management area: Upper Lough Erne
2021 Objective: Good ecological potential
2027 Objective: Good ecological potential

Overall status:  2015 2016 2017 2018 2019 2020 2021
Confidence in overall status: Medium

Biological elements

Benthic invertebrates **Moderate**
 Macrophytes **Good**
 Phytobenthos **Good**
 Fish **Poor**

Physicochemical elements

Biochemical Oxygen Demand ¹ **High**
 Temperature ¹ **Good**
 Dissolved Oxygen **Good**
 pH **High**
 Soluble Reactive Phosphorus **High**

Specific pollutants

Ammonia **Good/High**
 Arsenic (dissolved) **Good/High**
 Chromium (dissolved) **Good/High**
 Iron (dissolved) **Good/High**
 Toluene **Good/High**

Hydromorphological elements ¹

Hydrological regime **High**
 Morphological conditions **Good**

Priority substances

Anthracene **Good**
 Benzene **Good**
 Benzo-a-pyrene **Good**
 Brominated diphenylether **Good**
 Benzo(b)fluoranthene **Good**
 Benzo(k)fluoranthene **Good**
 Benzo(g,h,i)perylene **Good**
 Cadmium (dissolved) **Good**
 Fluoranthene **Good**

Lead (dissolved)	Good
Mercury (dissolved)	Good
Naphthalene	Good
Nickel (dissolved)	Good

¹ BOD and temperature do not contribute to overall classification. Hydromorphical elements are supporting elements and only contribute to overall classification as either high or good.

The yearly classifications are based on monitoring data up to the end of the previous year where available. Data more than 6 years old is not used for classifications. Elements were not classified in a particular year if they were not monitored during the previous 6 years.

The diagram on page 2 indicates how overall classification has been assessed from the individual elements. However, for heavily modified water bodies and artificial water bodies a separate classification has been applied to determine ecological potential taking into account mitigation measures. Further details can be found on our website.

Water body name: Tempo River (Tempo)
Water body identification code: UKGBNI1NW363602043
River Basin District: North Western
Local management area: Upper Lough Erne
2021 Objective: Good Status
2027 Objective: Good Status

	2015	2016	2017	2018	2019	2020	2021
Overall status:	Good						
Confidence in overall status:	Medium						

Biological elements

Benthic invertebrates	Good
Macrophytes	High
Phytobenthos	High

Physicochemical elements

Biochemical Oxygen Demand ¹	High
Temperature ¹	High
Dissolved Oxygen	High
pH	High
Soluble Reactive Phosphorus	High

Specific pollutants

Ammonia	Good/High
Arsenic (dissolved)	Good/High
Chromium (dissolved)	Good/High
Iron (dissolved)	Good/High

Hydromorphological elements ¹

Hydrological regime	High
---------------------	-------------

Priority substances

Cadmium (dissolved)	Good
Lead (dissolved)	Good
Nickel (dissolved)	Good

¹ BOD and temperature do not contribute to overall classification. Hydromorphological elements are supporting elements and only contribute to overall classification as either high or good.

The yearly classifications are based on monitoring data up to the end of the previous year where available. Data more than 6 years old is not used for classifications. Elements were not classified in a particular year if they were not monitored during the previous 6 years.

The diagram on page 2 indicates how overall classification has been assessed from the individual elements. However, for heavily modified water bodies and artificial water bodies a separate classification has been applied to determine ecological potential taking into account mitigation measures. Further details can be found on our website.

Water body name: Kinglass Tributary
Water body identification code: UKGBNI1NW363602051
River Basin District: North Western
Local management area: Upper Lough Erne
2021 Objective: Good Status
2027 Objective: Good Status

	2015	2016	2017	2018	2019	2020	2021
Overall status:	Good						
Confidence in overall status:	Low						

_____ Biological elements _____

_____ Physicochemical elements _____

Biochemical Oxygen Demand ¹	High
Dissolved Oxygen	High
pH	High
Soluble Reactive Phosphorus	High

_____ Specific pollutants _____

Ammonia	Good/High
---------	------------------

_____ Hydromorphological elements ¹ _____

Hydrological regime	High
Morphological conditions	Good

_____ Priority substances _____

¹ BOD and temperature do not contribute to overall classification. Hydromorphical elements are supporting elements and only contribute to overall classification as either high or good.

The yearly classifications are based on monitoring data up to the end of the previous year where available. Data more than 6 years old is not used for classifications. Elements were not classified in a particular year if they were not monitored during the previous 6 years.

The diagram on page 2 indicates how overall classification has been assessed from the individual elements. However, for heavily modified water bodies and artificial water bodies a separate classification has been applied to determine ecological potential taking into account mitigation measures. Further details can be found on our website.

Water body name: Pubble River
Water body identification code: UKGBNI1NW363602054
River Basin District: North Western
Local management area: Upper Lough Erne
2021 Objective: Good Status
2027 Objective: Good Status

	2015	2016	2017	2018	2019	2020	2021
Overall status:	Moderate						
Confidence in overall status:	High						

Biological elements

Benthic invertebrates	High
Macrophytes	High
Phytobenthos	High
Fish	Moderate

Physicochemical elements

Biochemical Oxygen Demand ¹	High
Temperature ¹	High
Dissolved Oxygen	High
pH	High
Soluble Reactive Phosphorus	High

Specific pollutants

Ammonia	Good/High
Arsenic (dissolved)	Good/High
Chromium (dissolved)	Good/High
Cypermethrin ²	Moderate
2,4-D	Good/High
Diazinon	Good/High
Glyphosate	Good/High
Iron (dissolved)	Good/High
Linuron	Good/High
Mecoprop	Good/High
Permethrin	Good/High

Hydromorphological elements ¹

Hydrological regime	High
Morphological conditions	Good

Priority substances

Atrazine	Good
Cadmium (dissolved)	Good
Chlorpyrifos	Good
Diuron	Good

Isoproturon	Good
Lead (dissolved)	Good
Mercury (dissolved)	Good
Nickel (dissolved)	Good
Simazine	Good

¹ BOD and temperature do not contribute to overall classification. Hydromorphical elements are supporting elements and only contribute to overall classification as either high or good.

The yearly classifications are based on monitoring data up to the end of the previous year where available. Data more than 6 years old is not used for classifications. Elements were not classified in a particular year if they were not monitored during the previous 6 years. The diagram on page 2 indicates how overall classification has been assessed from the individual elements. However, for heavily modified water bodies and artificial water bodies a separate classification has been applied to determine ecological potential taking into account mitigation measures. Further details can be found on our website.

Water body name: Ramult River
Water body identification code: UKGBNI1NW363602083
River Basin District: North Western
Local management area: Upper Lough Erne
2021 Objective: Good Status
2027 Objective: Good Status

	2015	2016	2017	2018	2019	2020	2021
Overall status:	Moderate						
Confidence in overall status:	Medium						

_____ Biological elements _____

Benthic invertebrates	Good
Macrophytes	Moderate
Phytobenthos	Good

_____ Physicochemical elements _____

Biochemical Oxygen Demand ¹	High
Dissolved Oxygen	High
pH	High
Soluble Reactive Phosphorus	Good

_____ Specific pollutants _____

Ammonia	Good/High
---------	------------------

_____ Hydromorphological elements ¹ _____

Hydrological regime	High
---------------------	-------------

_____ Priority substances _____

¹ BOD and temperature do not contribute to overall classification. Hydromorphological elements are supporting elements and only contribute to overall classification as either high or good.

The yearly classifications are based on monitoring data up to the end of the previous year where available. Data more than 6 years old is not used for classifications. Elements were not classified in a particular year if they were not monitored during the previous 6 years. The diagram on page 2 indicates how overall classification has been assessed from the individual elements. However, for heavily modified water bodies and artificial water bodies a separate classification has been applied to determine ecological potential taking into account mitigation measures. Further details can be found on our website.

Water body name: Many Burns River
Water body identification code: UKGBNI1NW363602085
River Basin District: North Western
Local management area: Upper Lough Erne
2021 Objective: Good Status
2027 Objective: Good Status

	2015	2016	2017	2018	2019	2020	2021
Overall status:	Good						
Confidence in overall status:	High						

Biological elements

Benthic invertebrates	High
Macrophytes	High
Phytobenthos	High

Physicochemical elements

Biochemical Oxygen Demand ¹	High
Temperature ¹	High
Dissolved Oxygen	High
pH	High
Soluble Reactive Phosphorus	Good

Specific pollutants

Ammonia	Good/High
Arsenic (dissolved)	Good/High
Chromium (dissolved)	Good/High
Iron (dissolved)	Good/High

Hydromorphological elements ¹

Hydrological regime	High
Morphological conditions	Good

Priority substances

Cadmium (dissolved)	Good
Lead (dissolved)	Good
Nickel (dissolved)	Good

¹ BOD and temperature do not contribute to overall classification. Hydromorphical elements are supporting elements and only contribute to overall classification as either high or good.

The yearly classifications are based on monitoring data up to the end of the previous year where available. Data more than 6 years old is not used for classifications. Elements were not classified in a particular year if they were not monitored during the previous 6 years.

The diagram on page 2 indicates how overall classification has been assessed from the individual elements. However, for heavily modified water bodies and artificial water bodies a separate classification has been applied to determine ecological potential taking into account mitigation measures. Further details can be found on our website.

Water body name: Colebrooke River (Ashbrooke)
Water body identification code: UKGBNI1NW363604052
River Basin District: North Western
Local management area: Upper Lough Erne
2021 Objective: Good Status
2027 Objective: Good Status

	2015	2016	2017	2018	2019	2020	2021
Overall status:	Good						
Confidence in overall status:	High						

_____ Biological elements _____

Benthic invertebrates	High
Macrophytes	High
Phytobenthos	Good

_____ Physicochemical elements _____

Biochemical Oxygen Demand ¹	High
Temperature ¹	High
Dissolved Oxygen	High
pH	High
Soluble Reactive Phosphorus	Good

_____ Specific pollutants _____

Ammonia	Good/High
Arsenic (dissolved)	Good/High
Chromium (dissolved)	Good/High
Iron (dissolved)	Good/High

_____ Hydromorphological elements ¹ _____

Hydrological regime	High
---------------------	-------------

_____ Priority substances _____

Cadmium (dissolved)	Good
Lead (dissolved)	Good
Nickel (dissolved)	Good

¹ BOD and temperature do not contribute to overall classification. Hydromorphological elements are supporting elements and only contribute to overall classification as either high or good.

The yearly classifications are based on monitoring data up to the end of the previous year where available. Data more than 6 years old is not used for classifications. Elements were not classified in a particular year if they were not monitored during the previous 6 years.

The diagram on page 2 indicates how overall classification has been assessed from the individual elements. However, for heavily modified water bodies and artificial water bodies a separate classification has been applied to determine ecological potential taking into account mitigation measures. Further details can be found on our website.

Water body name:	Cleene River
Water body identification code:	UKGBNI1NW363604051
River Basin District:	North Western
Local management area:	Upper Lough Erne
2021 Objective:	Good Status
2027 Objective:	Good Status

	2015	2016	2017	2018	2019	2020	2021
Overall status:	Moderate						
Confidence in overall status:	Medium						

Biological elements

Benthic invertebrates	Good
Macrophytes	High
Phytobenthos	High
Fish	Good

Physicochemical elements

Biochemical Oxygen Demand ¹	High
Temperature ¹	High
Dissolved Oxygen	Good
pH	High
Soluble Reactive Phosphorus	Good

Specific pollutants

Ammonia	Good/High
Arsenic (dissolved)	Good/High
Chromium (dissolved)	Good/High
Cypermethrin ²	Moderate
2,4-D	Good/High
Diazinon	Good/High
Glyphosate	Good/High
Iron (dissolved)	Good/High
Linuron	Good/High
Mecoprop	Good/High
Permethrin	Good/High

Hydromorphological elements ¹

Hydrological regime	High
Morphological conditions	Good

Priority substances

Atrazine	Good
Cadmium (dissolved)	Good
Chlorpyrifos	Good
Diuron	Good

Isoproturon	Good
Lead (dissolved)	Good
Mercury (dissolved)	Good
Nickel (dissolved)	Good
Simazine	Good

¹ BOD and temperature do not contribute to overall classification. Hydromorphical elements are supporting elements and only contribute to overall classification as either high or good.

² For overall status cypermethrin has been assessed alongside biological elements.

The yearly classifications are based on monitoring data up to the end of the previous year where available. Data more than 6 years old is not used for classifications. Elements were not classified in a particular year if they were not monitored during the previous 6 years.

The diagram on page 2 indicates how overall classification has been assessed from the individual elements. However, for heavily modified water bodies and artificial water bodies a separate classification has been applied to determine ecological potential taking into account mitigation measures. Further details can be found on our website.

Water body name: Upper Lough Erne
Water body identification code: UKGBNI1NW363602063
River Basin District: North Western
Local management area: Upper Lough Erne
2021 Objective: Good Status
2027 Objective: Good Status

	2015	2016	2017	2018	2019	2020	2021
Overall status:	Moderate						
Confidence in overall status:	Unmeasured						

_____ Biological elements _____

_____ Physicochemical elements _____

_____ Specific pollutants _____

_____ Hydromorphological elements ¹ _____

Hydrological regime **High**

_____ Priority substances _____

¹ BOD and temperature do not contribute to overall classification. Hydromorphological elements are supporting elements and only contribute to overall classification as either high or good.

The yearly classifications are based on monitoring data up to the end of the previous year where available. Data more than 6 years old is not used for classifications. Elements were not classified in a particular year if they were not monitored during the previous 6 years.

The diagram on page 2 indicates how overall classification has been assessed from the individual elements. However, for heavily modified water bodies and artificial water bodies a separate classification has been applied to determine ecological potential taking into account mitigation measures. Further details can be found on our website.

This water body is shared with the Republic of Ireland. Whilst individual results shown above relate to monitoring carried out within Northern Ireland, the overall status assessment has been jointly agreed by the two jurisdictions.

Water body name: Owengarr River
Water body identification code: UKGBNI1NW363602095
River Basin District: North Western
Local management area: Upper Lough Erne
2021 Objective: Good Status
2027 Objective: Good Status

	2015	2016	2017	2018	2019	2020	2021
Overall status:	Good						
Confidence in overall status:	High						

_____ Biological elements _____

Benthic invertebrates	High
Macrophytes	Good
Phytobenthos	Good

_____ Physicochemical elements _____

Biochemical Oxygen Demand ¹	High
Temperature ¹	Good
Dissolved Oxygen	High
pH	High
Soluble Reactive Phosphorus	High

_____ Specific pollutants _____

Ammonia	Good/High
---------	------------------

_____ Hydromorphological elements ¹ _____

Hydrological regime	High
---------------------	-------------

_____ Priority substances _____

¹ BOD and temperature do not contribute to overall classification. Hydromorphological elements are supporting elements and only contribute to overall classification as either high or good.

The yearly classifications are based on monitoring data up to the end of the previous year where available. Data more than 6 years old is not used for classifications. Elements were not classified in a particular year if they were not monitored during the previous 6 years.

The diagram on page 2 indicates how overall classification has been assessed from the individual elements. However, for heavily modified water bodies and artificial water bodies a separate classification has been applied to determine ecological potential taking into account mitigation measures. Further details can be found on our website.

This water body is shared with the Republic of Ireland. Whilst individual results shown above relate to monitoring carried out within Northern Ireland, the overall status assessment has been jointly agreed by the two jurisdictions.

Water body name: Colebrooke River (Cooneen)
Water body identification code: UKGBNI1NW363604053
River Basin District: North Western
Local management area: Upper Lough Erne
2021 Objective: Good Status
2027 Objective: Good Status

	2015	2016	2017	2018	2019	2020	2021
Overall status:	Good						
Confidence in overall status:	High						

Biological elements

Benthic invertebrates	High
Macrophytes	High
Phytobenthos	Good

Physicochemical elements

Biochemical Oxygen Demand ¹	High
Temperature ¹	High
Dissolved Oxygen	High
pH	High
Soluble Reactive Phosphorus	High

Specific pollutants

Ammonia	Good/High
Arsenic (dissolved)	Good/High
Chromium (dissolved)	Good/High
Iron (dissolved)	Good/High

Hydromorphological elements ¹

Hydrological regime	High
---------------------	-------------

Priority substances

Cadmium (dissolved)	Good
Lead (dissolved)	Good
Nickel (dissolved)	Good

¹ BOD and temperature do not contribute to overall classification. Hydromorphological elements are supporting elements and only contribute to overall classification as either high or good.

The yearly classifications are based on monitoring data up to the end of the previous year where available. Data more than 6 years old is not used for classifications. Elements were not classified in a particular year if they were not monitored during the previous 6 years.

The diagram on page 2 indicates how overall classification has been assessed from the individual elements. However, for heavily modified water bodies and artificial water bodies a separate classification has been applied to determine ecological potential taking into account mitigation measures. Further details can be found on our website.

This water body is shared with the Republic of Ireland. Whilst individual results shown above relate to monitoring carried out within Northern Ireland, the overall status assessment has been jointly agreed by the two jurisdictions.

Water body name: Swanlinbar River
Water body identification code: UKGBNI1NW363604054
River Basin District: North Western
Local management area: Upper Lough Erne
2021 Objective: Moderate Status
2027 Objective: Moderate Status

	2015	2016	2017	2018	2019	2020	2021
Overall status:	Moderate						
Confidence in overall status:	Medium						

Biological elements

Benthic invertebrates	Good
Macrophytes	Good
Phytobenthos	High
Fish	Moderate

Physicochemical elements

Biochemical Oxygen Demand ¹	High
Temperature ¹	High
Dissolved Oxygen	High
pH	High
Soluble Reactive Phosphorus	High

Specific pollutants

Ammonia	Good/High
Arsenic (dissolved)	Good/High
Chromium (dissolved)	Good/High
3,4-dichloroaniline	Good/High
2,4-dichlorophenol	Good/High
Iron (dissolved)	Good/High
Pendimethalin	Good/High
Phenol	Good/High
Toluene	Good/High

Hydromorphological elements ¹

Hydrological regime	High
Morphological conditions	Good

Priority substances

Alachlor	Good
Benzene	Good
Brominated diphenylether	Good
C10 - C13 chloroalkanes	Good
Cadmium (dissolved)	Good
Cyclodiene pesticides	Good

p,p'-DDT	Good
DDT (total)	Good
Diethylhexylphthalate	Good
Endosulphan	Good
Hexachlorobenzene	Good
Hexachlorocyclohexane (total)	Good
Lead (dissolved)	Good
Mercury (dissolved)	Good
Nickel (dissolved)	Good
Nonylphenol	Good
Octylphenol	Good
Pentachlorobenzene	Good
Pentachlorophenol	Good
Trifluralin	Good

¹ BOD and temperature do not contribute to overall classification. Hydromorphical elements are supporting elements and only contribute to overall classification as either high or good.

The yearly classifications are based on monitoring data up to the end of the previous year where available. Data more than 6 years old is not used for classifications. Elements were not classified in a particular year if they were not monitored during the previous 6 years.

The diagram on page 2 indicates how overall classification has been assessed from the individual elements. However, for heavily modified water bodies and artificial water bodies a separate classification has been applied to determine ecological potential taking into account mitigation measures. Further details can be found on our website.

This water body is shared with the Republic of Ireland. Whilst individual results shown above relate to monitoring carried out within Northern Ireland, the overall status assessment has been jointly agreed by the two jurisdictions.

Water body name: Lacky River
Water body identification code: UKGBNI1NW363604066
River Basin District: North Western
Local management area: Upper Lough Erne
2021 Objective: Good Status
2027 Objective: Good Status

	2015	2016	2017	2018	2019	2020	2021
Overall status:	Moderate						
Confidence in overall status:	Medium						

_____ Biological elements _____

Benthic invertebrates	Good
Macrophytes	Good
Phytobenthos	High

_____ Physicochemical elements _____

Biochemical Oxygen Demand ¹	High
Temperature ¹	High
Dissolved Oxygen	Moderate
pH	High
Soluble Reactive Phosphorus	High

_____ Specific pollutants _____

Ammonia	Good/High
Arsenic (dissolved)	Good/High
Chromium (dissolved)	Good/High
Iron (dissolved)	Good/High

_____ Hydromorphological elements ¹ _____

Hydrological regime	High
---------------------	-------------

_____ Priority substances _____

Cadmium (dissolved)	Good
Lead (dissolved)	Good
Nickel (dissolved)	Good

¹ BOD and temperature do not contribute to overall classification. Hydromorphological elements are supporting elements and only contribute to overall classification as either high or good.

The yearly classifications are based on monitoring data up to the end of the previous year where available. Data more than 6 years old is not used for classifications. Elements were not classified in a particular year if they were not monitored during the previous 6 years.

The diagram on page 2 indicates how overall classification has been assessed from the individual elements. However, for heavily modified water bodies and artificial water bodies a separate classification has been applied to determine ecological potential taking into account mitigation measures. Further details can be found on our website.

This water body is shared with the Republic of Ireland. Whilst individual results shown above relate to monitoring carried out within Northern Ireland, the overall status assessment has been jointly agreed by the two jurisdictions.

Water body name: Starraghen Tributary
Water body identification code: UKGBNI1NW363604067
River Basin District: North Western
Local management area: Upper Lough Erne
2021 Objective: Good Status
2027 Objective: Good Status

	2015	2016	2017	2018	2019	2020	2021
Overall status:	Poor						
Confidence in overall status:	Low						

Biological elements

Benthic invertebrates	Poor
Macrophytes	Good
Phytobenthos	Good

Physicochemical elements

Biochemical Oxygen Demand ¹	High
Temperature ¹	High
Dissolved Oxygen	Moderate
pH	High
Soluble Reactive Phosphorus	High

Specific pollutants

Ammonia	Good/High
Arsenic (dissolved)	Good/High
Chromium (dissolved)	Good/High
Iron (dissolved)	Good/High

Hydromorphological elements ¹

Hydrological regime	High
---------------------	-------------

Priority substances

Cadmium (dissolved)	Good
Lead (dissolved)	Good
Nickel (dissolved)	Good

¹ BOD and temperature do not contribute to overall classification. Hydromorphological elements are supporting elements and only contribute to overall classification as either high or good.

The yearly classifications are based on monitoring data up to the end of the previous year where available. Data more than 6 years old is not used for classifications. Elements were not classified in a particular year if they were not monitored during the previous 6 years.

The diagram on page 2 indicates how overall classification has been assessed from the individual elements. However, for heavily modified water bodies and artificial water bodies a separate classification has been applied to determine ecological potential taking into account mitigation measures. Further details can be found on our website.

This water body is shared with the Republic of Ireland. Whilst individual results shown above relate to monitoring carried out within Northern Ireland, the overall status assessment has been jointly agreed by the two jurisdictions.

Water body name:	Finn River (Tattymore)
Water body identification code:	UKGBNI1NW363604079
River Basin District:	North Western
Local management area:	Upper Lough Erne
2021 Objective:	Good Status
2027 Objective:	Good Status

	2015	2016	2017	2018	2019	2020	2021
Overall status:	Moderate						
Confidence in overall status:	Medium						

Biological elements

Benthic invertebrates	Moderate
Macrophytes	High
Phytobenthos	Good

Physicochemical elements

Biochemical Oxygen Demand ¹	High
Temperature ¹	High
Dissolved Oxygen	Good
pH	High
Soluble Reactive Phosphorus	Good

Specific pollutants

Ammonia	Good/High
Arsenic (dissolved)	Good/High
Chromium (dissolved)	Good/High
Iron (dissolved)	Good/High

Hydromorphological elements ¹

Hydrological regime	High
---------------------	-------------

Priority substances

Cadmium (dissolved)	Good
Lead (dissolved)	Good
Nickel (dissolved)	Good

¹ BOD and temperature do not contribute to overall classification. Hydromorphological elements are supporting elements and only contribute to overall classification as either high or good.

The yearly classifications are based on monitoring data up to the end of the previous year where available. Data more than 6 years old is not used for classifications. Elements were not classified in a particular year if they were not monitored during the previous 6 years.

The diagram on page 2 indicates how overall classification has been assessed from the individual elements. However, for heavily modified water bodies and artificial water bodies a separate classification has been applied to determine ecological potential taking into account mitigation measures. Further details can be found on our website.

This water body is shared with the Republic of Ireland. Whilst individual results shown above relate to monitoring carried out within Northern Ireland, the overall status assessment has been jointly agreed by the two jurisdictions.

Water body name: Finn River (Wattle Bridge)
Water body identification code: UKGBNI1NW363604080
River Basin District: North Western
Local management area: Upper Lough Erne
2021 Objective: Good Status
2027 Objective: Good Status

	2015	2016	2017	2018	2019	2020	2021
Overall status:	Poor						
Confidence in overall status:	Medium						

Biological elements

Benthic invertebrates	Moderate
Macrophytes	Good
Phytobenthos	Good
Fish	Moderate

Physicochemical elements

Biochemical Oxygen Demand ¹	Good
Temperature ¹	Good
Dissolved Oxygen	Moderate
pH	High
Soluble Reactive Phosphorus	High

Specific pollutants

Ammonia	Good/High
Arsenic (dissolved)	Good/High
Chromium (dissolved)	Good/High
Iron (dissolved)	Good/High
Toluene	Good/High

Hydromorphological elements ¹

Hydrological regime	High
Morphological conditions	Good

Priority substances

Benzene	Good
Brominated diphenylether	Good
Cadmium (dissolved)	Good
Lead (dissolved)	Good
Mercury (dissolved)	Good
Nickel (dissolved)	Good

¹ BOD and temperature do not contribute to overall classification. Hydromorphical elements are supporting elements and only contribute to overall classification as either high or good.

The yearly classifications are based on monitoring data up to the end of the previous year where available. Data more than 6 years old is not used for classifications. Elements were not classified in a particular year if they were not monitored during the previous 6 years.

The diagram on page 2 indicates how overall classification has been assessed from the individual elements. However, for heavily modified water bodies and artificial water bodies a separate classification has been applied to determine ecological potential taking into account mitigation measures. Further details can be found on our website.

This water body is shared with the Republic of Ireland. Whilst individual results shown above relate to monitoring carried out within Northern Ireland, the overall status assessment has been jointly agreed by the two jurisdictions.

Water body name: Erne River (Belturbet)
Water body identification code: UKGBNI1NW363604081
River Basin District: North Western
Local management area: Upper Lough Erne
2021 Objective: Good Status
2027 Objective: Good Status

	2015	2016	2017	2018	2019	2020	2021
Overall status:	Moderate						
Confidence in overall status:	Unmeasured						

_____ Biological elements _____

_____ Physicochemical elements _____

_____ Specific pollutants _____

_____ Hydromorphological elements ¹ _____

Hydrological regime **High**

_____ Priority substances _____

¹ BOD and temperature do not contribute to overall classification. Hydromorphological elements are supporting elements and only contribute to overall classification as either high or good.

The yearly classifications are based on monitoring data up to the end of the previous year where available. Data more than 6 years old is not used for classifications. Elements were not classified in a particular year if they were not monitored during the previous 6 years.

The diagram on page 2 indicates how overall classification has been assessed from the individual elements. However, for heavily modified water bodies and artificial water bodies a separate classification has been applied to determine ecological potential taking into account mitigation measures. Further details can be found on our website.

This water body is shared with the Republic of Ireland. Whilst individual results shown above relate to monitoring carried out within Northern Ireland, the overall status assessment has been jointly agreed by the two jurisdictions.

Water body name: Woodford River
Water body identification code: UKGBNI1NW363604083
River Basin District: North Western
Local management area: Upper Lough Erne
2021 Objective: Good Status
2027 Objective: Good Status

	2015	2016	2017	2018	2019	2020	2021
Overall status:	High						
Confidence in overall status:	Low						

Biological elements

Physicochemical elements

Biochemical Oxygen Demand ¹	High
Temperature ¹	Good
Dissolved Oxygen	High
pH	High
Soluble Reactive Phosphorus	High

Specific pollutants

Ammonia	Good/High
Arsenic (dissolved)	Good/High
Chromium (dissolved)	Good/High
Iron (dissolved)	Good/High

Hydromorphological elements ¹

Hydrological regime	High
---------------------	------

Priority substances

Cadmium (dissolved)	Good
Lead (dissolved)	Good
Nickel (dissolved)	Good

¹ BOD and temperature do not contribute to overall classification. Hydromorphological elements are supporting elements and only contribute to overall classification as either high or good.

The yearly classifications are based on monitoring data up to the end of the previous year where available. Data more than 6 years old is not used for classifications. Elements were not classified in a particular year if they were not monitored during the previous 6 years.

The diagram on page 2 indicates how overall classification has been assessed from the individual elements. However, for heavily modified water bodies and artificial water bodies a separate

classification has been applied to determine ecological potential taking into account mitigation measures. Further details can be found on our website.

This water body is shared with the Republic of Ireland. Whilst individual results shown above relate to monitoring carried out within Northern Ireland, the overall status assessment has been jointly agreed by the two jurisdictions.

Water body name: Finn River (Rosslea)
Water body identification code: UKGBNI1NW363604084
River Basin District: North Western
Local management area: Upper Lough Erne
2021 Objective: Good Status
2027 Objective: Good Status

	2015	2016	2017	2018	2019	2020	2021
Overall status:	Good						
Confidence in overall status:	Medium						

Biological elements

Benthic invertebrates	Good
Macrophytes	High
Phytobenthos	Good

Physicochemical elements

Biochemical Oxygen Demand ¹	High
Temperature ¹	High
Dissolved Oxygen	Good
pH	High
Soluble Reactive Phosphorus	Good

Specific pollutants

Ammonia	Good/High
Arsenic (dissolved)	Good/High
Chromium (dissolved)	Good/High
Iron (dissolved)	Good/High

Hydromorphological elements ¹

Hydrological regime	High
---------------------	------

Priority substances

Cadmium (dissolved)	Good
Lead (dissolved)	Good
Nickel (dissolved)	Good

¹ BOD and temperature do not contribute to overall classification. Hydromorphological elements are supporting elements and only contribute to overall classification as either high or good.

The yearly classifications are based on monitoring data up to the end of the previous year where available. Data more than 6 years old is not used for classifications. Elements were not classified in a particular year if they were not monitored during the previous 6 years.

The diagram on page 2 indicates how overall classification has been assessed from the individual elements. However, for heavily modified water bodies and artificial water bodies a separate classification has been applied to determine ecological potential taking into account mitigation measures. Further details can be found on our website.

This water body is shared with the Republic of Ireland. Whilst individual results shown above relate to monitoring carried out within Northern Ireland, the overall status assessment has been jointly agreed by the two jurisdictions.

Water body name: Upper Lough Erne
Water body identification code: UKGBNI3NW0008
This is a heavily modified water body.
River Basin District: North Western
Local management area: Upper Lough Erne
2021 Objective: Moderate ecological potential
2027 Objective: Good ecological potential

	2015	2016	2017	2018	2019	2020	2021
Overall status:	MEP						
Confidence in overall status:	Medium						

Biological elements

Macrophytes	Moderate
Phytobenthos	Moderate
Phytoplankton	High
Fish	Moderate

Physicochemical elements

Dissolved Oxygen	High
Salinity	High
Total Phosphorus	Moderate

Specific pollutants

Arsenic (dissolved)	Good/High
Chromium (dissolved)	Good/High
Iron (dissolved)	Good/High
Toluene	Good/High

Hydromorphological elements ¹

Hydrological regime	Good
Morphological conditions	Good

Priority substances

Benzene	Good
Brominated diphenylether	Good
Cadmium (dissolved)	Good
Lead (dissolved)	Good
Mercury (dissolved)	Good
Nickel (dissolved)	Good

¹ Hydromorphological elements are supporting elements and only contribute to overall classification as either high or good.

The yearly classifications are based on monitoring data up to the end of the previous year where available. Data more than 6 years old is not used for classifications. Elements were not classified in a particular year if they were not monitored during the previous 6 years.

The diagram on page 2 indicates how overall classification has been assessed from the individual elements. However, for heavily modified water bodies and artificial water bodies a separate classification has been applied to determine ecological potential taking into account mitigation measures. Further details can be found on our website.

This water body is shared with the Republic of Ireland. Whilst individual results shown above relate to monitoring carried out within Northern Ireland, the overall status assessment has been jointly agreed by the two jurisdictions.